

6. Lighting Fixture -- Pendant, Wall, Passenger Light 방수 통과등

Marine Pendant Lights 부착용 조명등 Water & Vibration Proof 방수 방진

Farol Techo - Resistente al Agua y Vibración
船用作業灯 船用作業燈 吊式探照灯
Лампы висячие водо-вибростойкие

(Ref. JIS F8414-1990)



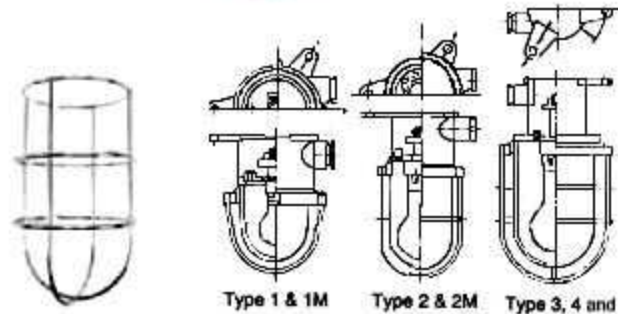
79 20 54

79 20 57



79 20 62

79 20 60



Type 1 & 1M Type 2 & 2M Type 3, 4 and 3M, 4M

Unit Per Pc.

CODE	Type	Lamp Base	Lamp Voltage	Lamp Watt	Glass Globe			
79 20 51	1	E-12	125	20	S 80A			
52		B-15						
79 20 53	1M	E-12						
54		B-15						
79 20 55	2	E-26				60	S 90A	
56		B-22						
79 20 57	2M	E-26						
58		B-22						
79 20 59	3	E-26	250	100	S120A			
60								3M
79 20 61	4					E-26	200	S135A
62								

Remark: Main body material is metal casting but the letter "M" suffixed to type number denotes that of synthetic resins

Marine Watertight Type Wall Lights 선용 방수형 벽면등

Farol Pared Tipo Estanco 선용 방수형 벽면등
船用防水形壁付灯 船用水密式壁燈 防水船用壁燈
Лампы стенные водо-вибростойкие



Type W 79 20 66



Type WB-1
79 20 67

Type WB-2
79 20 68

Unit Per Pc.

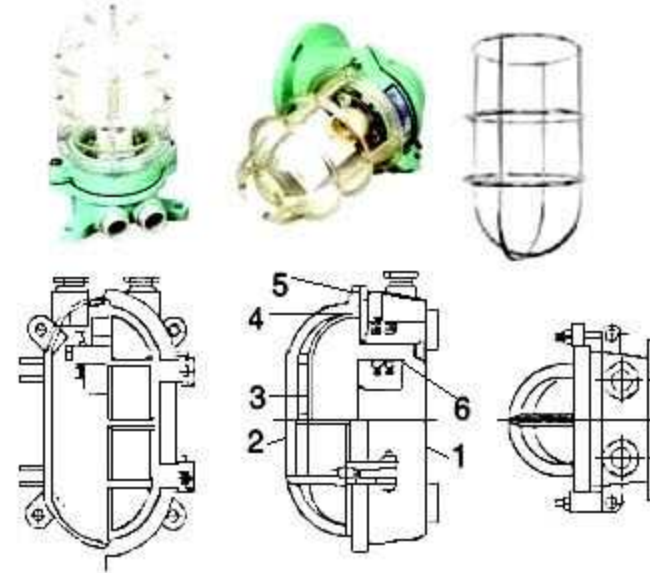
CODE	Type	Watt	Applicable Glass Globe	Lamp Base	Main Body Material
79 20 66	W	60	F175A	E-26	Cast Iron
67	WB-1	20	S57A	B-15	Synthetic Resin
68	WB-2	60	S90A	E-26	"



Watertight Type Passage Lights 선용 방수형 통과등

Luces para Pasillo Tipo Estanco 선용 방수형 통과등
船用防水形通路燈 水密式通道燈 通道灯
Лампы коридорные судовые. водонепроницаемые

(Ref. JIS F8441)



Name	Watertight Passage Light	
Material	1. Body	Cast Iron
	2. Guard	Cast Iron
	3. Globe	Glass
	4. Gasket	Synthetic Rubber
	5. "	"
	6. Screw	Brass
Size mm	Overall	Length 250 mm Width 170 mm Depth 130 mm
	Voltage	110 V
	Wattage	40 W
79 21 01	Passage light, watertight,	Pc.
	with guard , E-26 x 40W	
02	without guard , E-26 x 40W	

Glass Globes for Marine Electric Lights 선박 부착조명등용 유리

Crítal para Farol Marino
船用ガラスグローブ 船用燈玻璃球罩 船用灯罩
Стеклошары для электрических ламп

(Ref. JIS F8402-1982)



- Symbols of class denote the shape of fitting part of globes as follows:
F ... Flange type
S ... Screw in type
- Type is classified according to the outside diameter of the globe in mm.
- Symbols of colour denote the following.
A Colourless Transparency
B Frosted
AB Transparent blue
AG Transparent green
AR Transparent red
AYR Transparent yellow

Unit Per Pc.

CODE	Type	CODE	Type
Flange Type		Screw in Type	
79 20 71	F90A	79 20 81	S57A
72	F90AB	82	S80A
73	F90AG	83	S90A
74	F90AR	84	S90AB
75	F90AYR	85	S90AG
79 20 76	F175A	79 20 86	S90AR
77	F250B	87	S90AYR
78	F300B	88	S110B
79	F350B	89	S120A
		90	S135A
		79 20 91	S230B

Illustration	Type	Dimensions mm				Colour
		D	d	H	T/h	
Flange Type						
	90	105	90	150	6	A, AB, AG, AR, AYR
	175	190	175	60	4	A
	250	262	250	85		B
	300	312	300	90		
	350	362	350	95		

Screw in Type

	57	59.9 - 60.3	57	75	22	A
	80	83.4 - 83.7	80	90	26	
	90	83.4	90	150	26	A, AB, AG, AR, AYR
	110	83.7	110	160		B
	120	123.0	120	175	26	A
	135		135	220		
	230	123.4	230	157		B